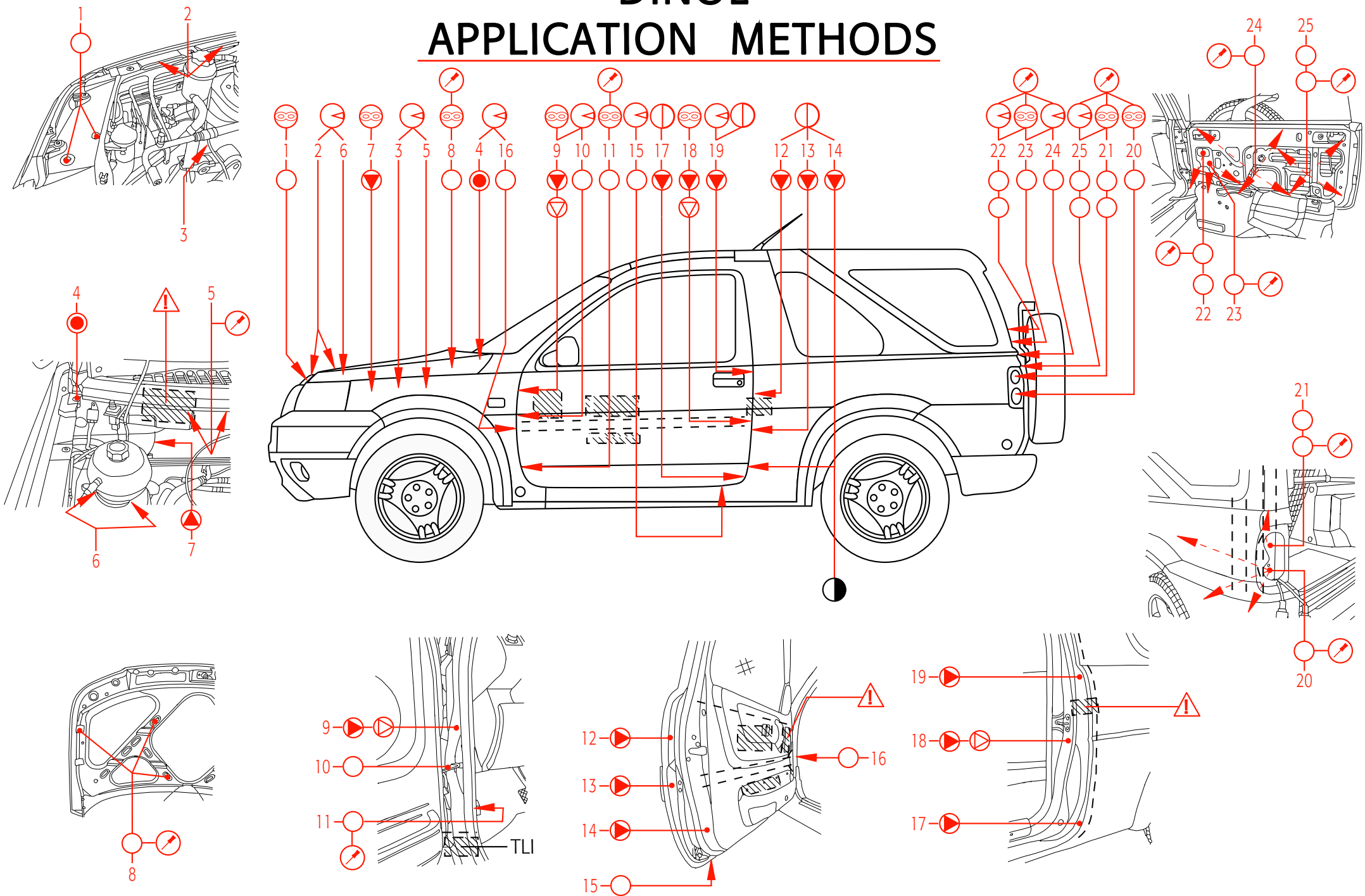


# DINOL

Landrover Freelander 3d 99-

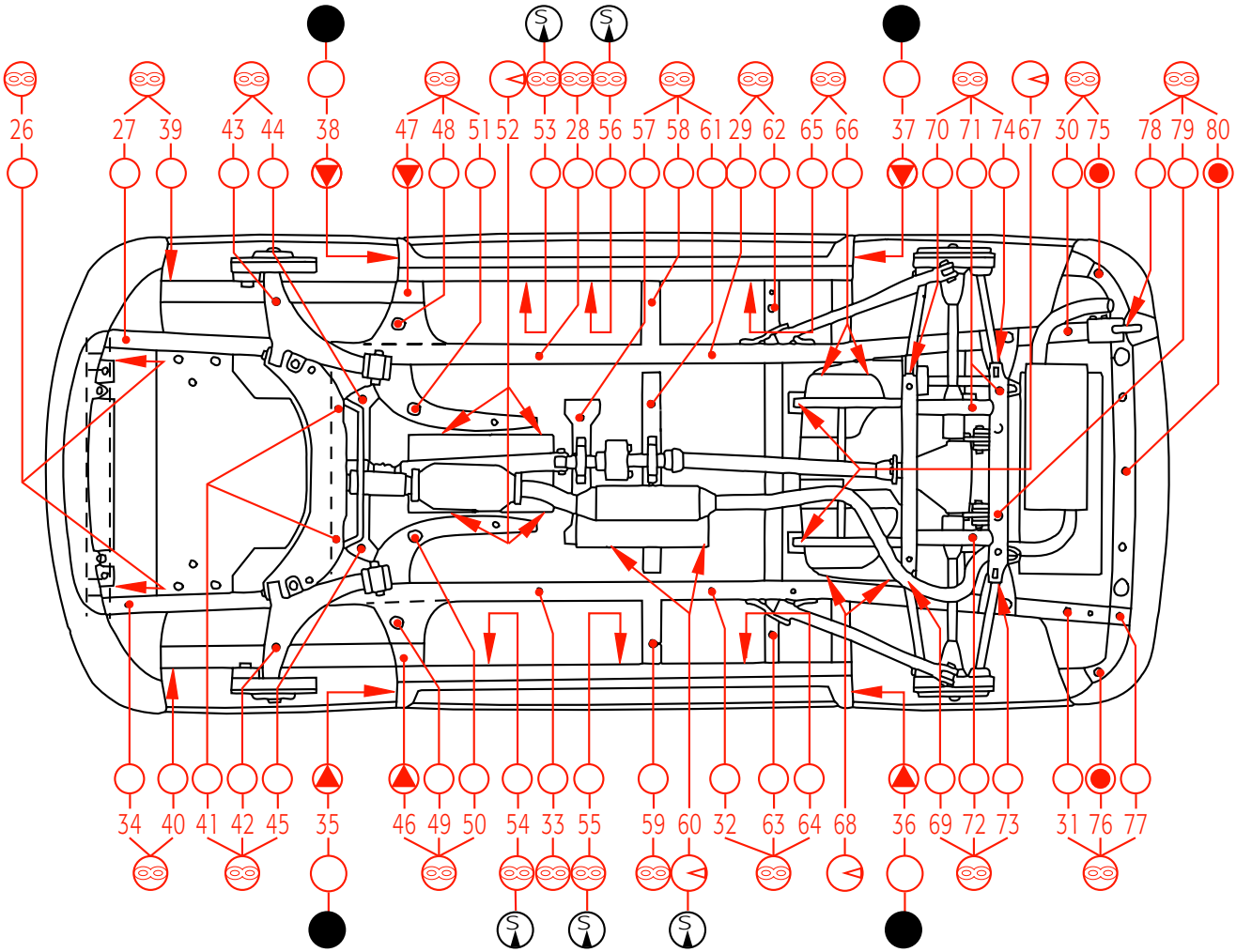
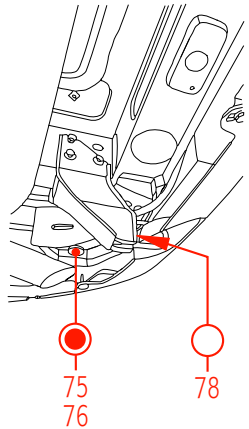
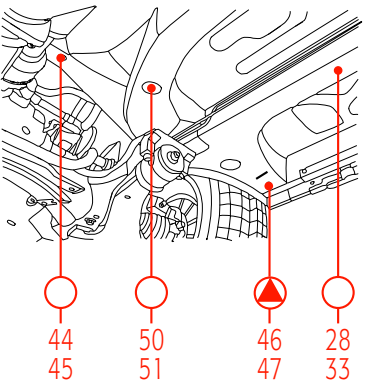
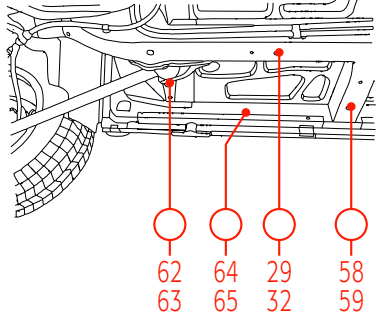
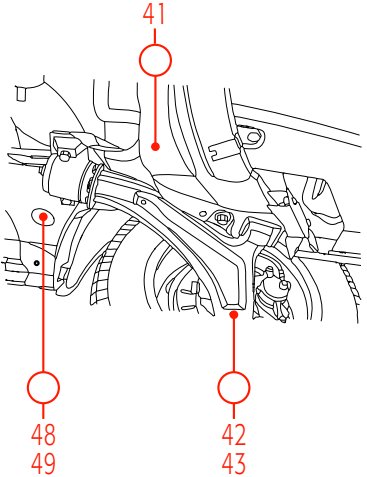
## APPLICATION METHODS



# DINOL

Landrover Freelander 3d 99-

## APPLICATION METHODS



## TECHNICAL LETTER OF INFORMATION

## Land Rover Freelander 3-d and 5-d 99-

*In the A-pillar is a spray foam rubber block (marked TLI), please treat this part abundantly after dismounting of the innerpanel.*